



Valustar electric chain hoist

Designed specifically for general commercial applications. This compact, lightweight hoist features:

- Fully machined and heat treated liftwheel with hardened chain guides for smooth chain operation and reduced chain wear
- Standard lift 10, 15 & 20 ft.
- 5 ft. power cord length
- Heavy-duty caliper type AC brake
- Rugged NEMA 4 control station, 115 volt control circuit
- Easy to install and maintain
- Hoist alloy load chain for smooth operation and maximum chain life
- Efficient regenerative braking system to avoid heat generation in power train
- Enclosed hoist duty motor
- Gear train lifetime lubricated with non-oxidizing grease
- Latch type hooks
- Hook suspension standard
- Fully machined and heat treated gear train
- Standard overload Protector device
- H3 duty-1 phase; H-4 duty-3 phase
- Lifetime warranty
- Metric rated
- Made in U.S.A.

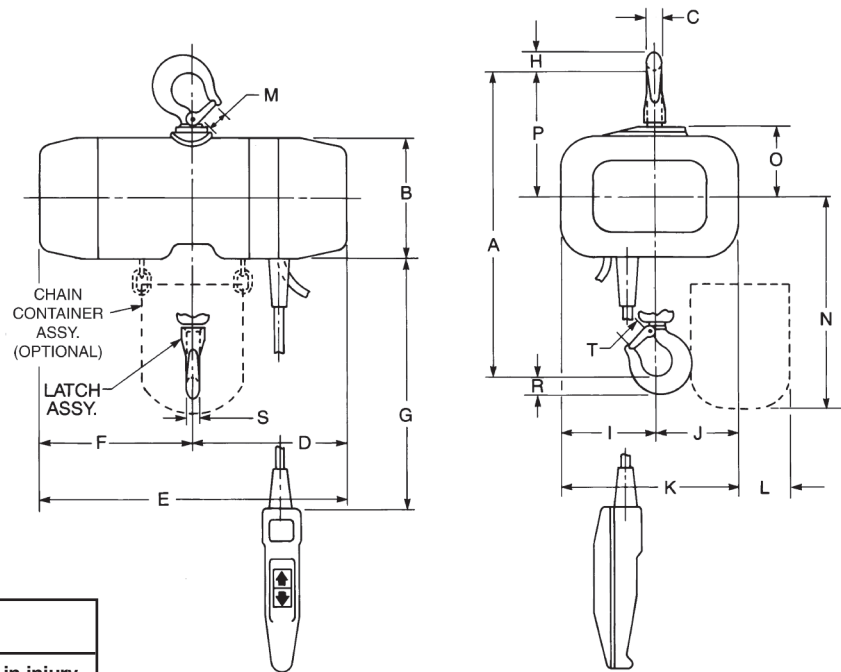


Specifications

| | Product code | | Model | Max. capacity tons | Hoist lifting speed FPM | Reeving | Approximate shipping wt. (lbs.) | |
|------------------------------|--------------|--------------|-------|--------------------|-------------------------|---------|---------------------------------|--------------|
| | 115-1-60 | 230/460 3-60 | | | | | 115-1-60 | 230/460 3-60 |
| Single speed 10' lift | 2401 | 2402 | WB | 1/4 | 16 | single | 54 | 58 |
| | 2403 | 2404 | WF | 1/2 | 16 | single | 60 | 58 |
| | 2405 | 2406 | WH | 1 | 8 | double | 70 | 68 |
| | 2407 | 2408 | WL | 1 | 16 | single | 105 | 106 |
| | 2409 | 2410 | WR | 2 | 8 | double | 130 | 122 |
| Single speed 15' lift | 2401B | 2402B | WB | 1/4 | 16 | single | 64 | 62 |
| | 2403B | 2404B | WF | 1/2 | 16 | single | 64 | 62 |
| | 2405B | 2406B | WH | 1 | 8 | double | 77 | 75 |
| | 2407B | 2408B | WL | 1 | 16 | single | 111 | 112 |
| | 2409B | 2410B | WR | 2 | 8 | double | 136 | 128 |
| Single speed 20' lift | 2401C | 2402C | WB | 1/4 | 16 | single | 68 | 66 |
| | 2403C | 2404C | WF | 1/2 | 16 | single | 68 | 66 |
| | 2405C | 2406C | WH | 1 | 8 | double | 84 | 82 |
| | 2407C | 2408C | WL | 1 | 16 | single | 116 | 117 |
| | 2409C | 2410C | WR | 2 | 8 | double | 150 | 142 |

Longer lifts and modifications available. Apply for details.

Valustar -Specifications



***WARNING**

Overloading and improper use can result in injury.

To avoid injury:

- Do not exceed working load limit, load rating capacity
- Do not use to lift people or loads over people.
- use only alloy chain for overhead lifting.
- Read and follow all instructions.

Clearance dimensions (in.)

Rated capacity* (tons)

| Dimension | 1/4 | 1/2 | 1/2 | 1 | 1/2 | 1 | 2 |
|-----------|----------|----------|----------|----------|----------|----------|----------|
| | Model WB | Model WF | Model WE | Model WH | Model WJ | Model WL | Model WR |
| A | 14 1/4 | 14 1/4 | 17 7/8 | 17 7/8 | 15 9/16 | 15 9/16 | 22 1/2 |
| B | 6 1/8 | 6 1/8 | 6 1/8 | 6 1/8 | 7 5/8 | 7 5/8 | 7 5/8 |
| C | 1 1/16 | 1 1/16 | 7/8 | 7/8 | 7/8 | 7/8 | 1 1/8 |
| D | 8 | 8 | 8 | 8 | 9 | 9 | 9 |
| E | 16 1/16 | 16 1/16 | 16 1/16 | 16 1/16 | 20 3/16 | 20 3/16 | 20 3/16 |
| F | 8 1/16 | 8 1/16 | 8 1/16 | 8 1/16 | 11 3/16 | 11 3/16 | 11 3/16 |
| G** | 6'-3" | 6'-3" | 6'-3" | 6'-3" | 6'-3" | 6'-3" | 6'-3" |
| H | 1 | 1 | 1 3/16 | 1 3/16 | 1 3/16 | 1 3/16 | 1 1/2 |
| I | 4 13/16 | 4 13/16 | 3 7/8 | 3 7/8 | 7 1/4 | 7 1/4 | 6 3/16 |
| J | 3 15/16 | 3 15/16 | 4 7/8 | 4 7/8 | 5 7/16 | 5 7/16 | 6 1/2 |
| K | 8 3/4 | 8 3/4 | 8 3/4 | 8 3/4 | 12 11/16 | 12 11/16 | 12 11/16 |
| L | 1 11/16 | 1 11/16 | 1 11/16 | 1 11/16 | 7/16 | 7/16 | 7/16 |
| M | 1 | 1 | 1 1/8 | 1 1/8 | 1 1/8 | 1 1/8 | 1 5/16 |
| N** | 12 15/16 | 12 15/16 | 15 15/16 | 15 15/16 | 16 11/16 | 16 11/16 | 22 11/16 |
| O | 3 9/16 | 3 9/16 | 3 9/16 | 3 9/16 | 4 | 4 | 4 |
| P | 6 9/16 | 6 3/16 | 6 1/2 | 6 1/2 | 6 7/8 | 6 7/8 | 7 3/8 |
| R | 1 | 1 | 1 3/16 | 1 3/16 | 1 3/16 | 1 3/16 | 1 1/2 |
| S | 1 1/16 | 1 1/16 | 7/8 | 7/8 | 7/8 | 7/8 | 1 1/8 |
| T | 1 | 1 | 1 1/8 | 1 1/8 | 1 1/8 | 1 1/8 | 1 5/16 |

** Based on 10 foot lift units